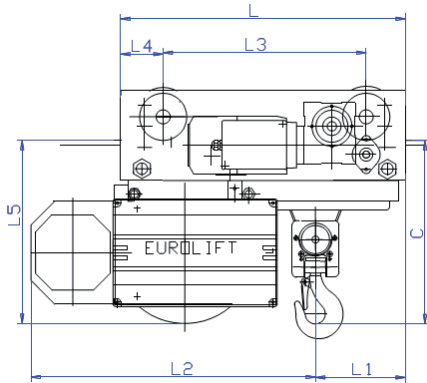


## OVERHEAD CRANE MAX. 2.000 KG WITH BELT HOIST

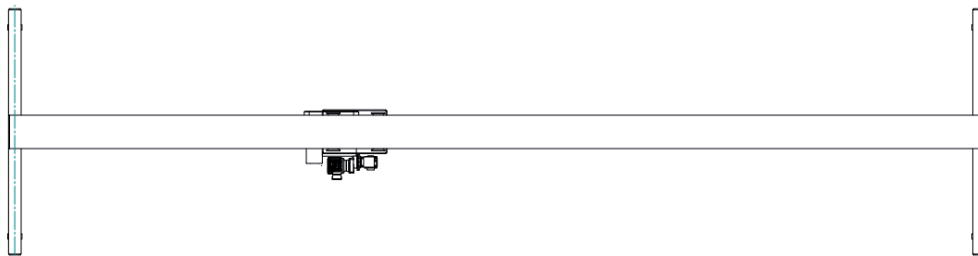
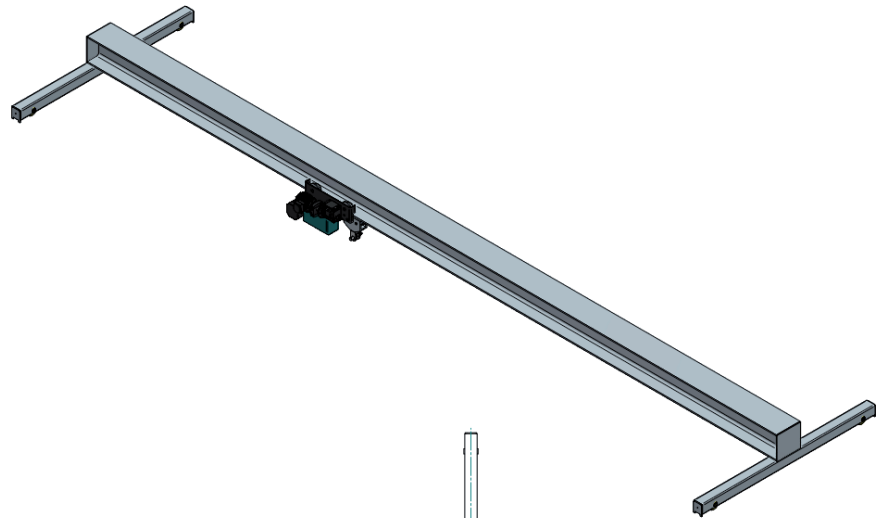


Type	dimensions mm								
	L	L1	L2	L3	L4	L5	L6	L7	L8
BH202...									
BH203...	604	190	603	430	90	390	115	325	176
BH204...									

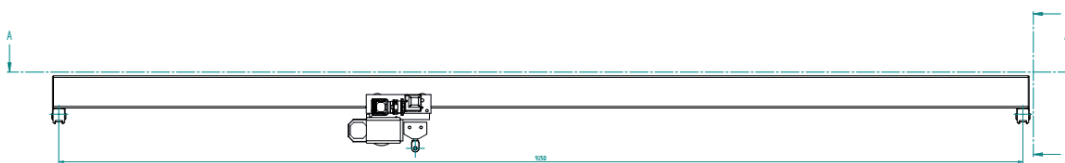
type	C mm
BH202..	400
BH203..	450
BH204..	400

### SPECIFICATIONS

- WLL max. 2.000 kg
- 1 Belt-hoist
- Span up to 10.000 mm
- Height of crane 550 mm
- Class: ISO 5



SECTION A-A



SECTION B-B